



Material Handling and Custom Thermoformed Solutions



BP4048W DTP and BP4048W DTC

FEATURES

High-Density Polyethylene (HDPE) Construction

- Impact Resistant
- Environmentally friendly
 - 100% recyclable
- Lightweight for better ergonomics
 - Operator/user friendly
- ISPM 15 exempt

Ever-Lok ®2 locations

- Eliminates stretch wrapping
- Provides unit security

Fully Nestable

- Nesting conserves space and reduces shipping costs
- Interlocking pallet & cover for secure stacking

Large Leg Footprint

- Designed to perform on roller conveyors

4-way Forklift and Forkjack Entry

Lower cost alternative vs. rigid alternatives

Easy to clean

Weather resistant

OPTIONS

- With or Without Ever-Lok2® locations
- Collapsible Sleeves
- Wide range of stripe colors
- One or multiple stripes in 48" direction
- Custom logos
- Leg drain holes

Fully Nestable

Pallets

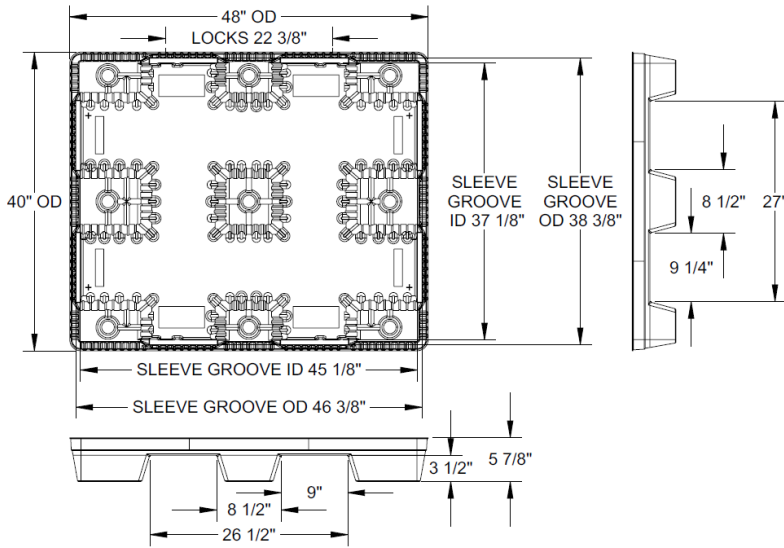


Covers

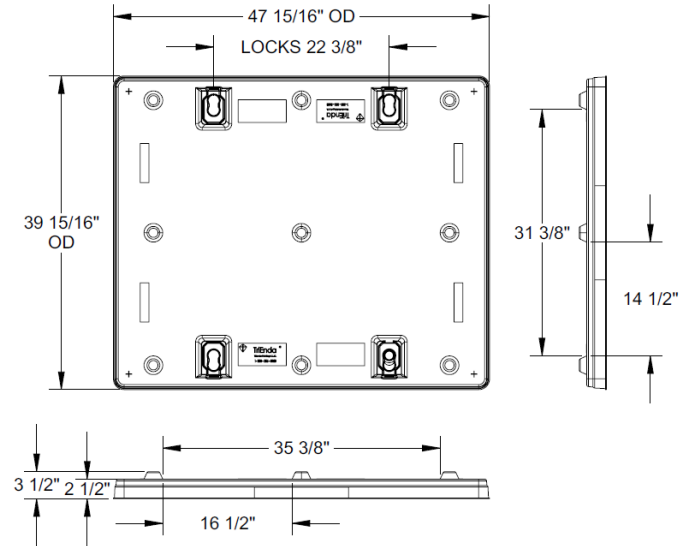


BP4048W DTP and BP4048W DTC Specifics

BP 4048D PALLET



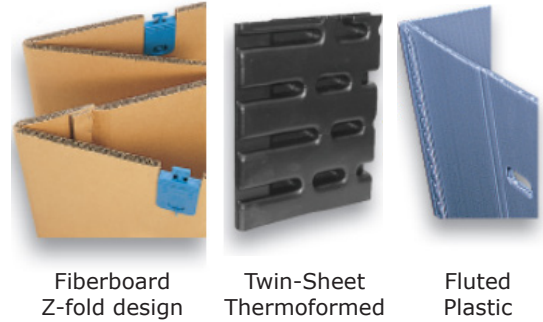
BP4048D COVER



PACKAGING INFORMATION

Inside useable space 36" Sleeve | 33 1/2" / 851 mm
 Inside useable space 42" Sleeve | 39 1/2" / 1,003 mm

BIG PAK SLEEVE OPTIONS



SHIPPING INFORMATION

PALLET

Stack Height | 100" / 2,540 mm
 Qty of Pallets per Stack | 40
 Qty Pallets per 53' Trailer | 1,200 pallets/30 skids
 Qty Pallets per 20' Container | 400 pallets/10 skids
 Qty Pallets per 40' container | 800 pallets/20 skids
 Qty Pallets per 40' HC | 880 pallets/20 skids/44 high

COVER

Stack Height | 100" / 2,540 mm
 Qty of Pallets per Stack | 40
 Qty Pallets per 53' Trailer | 1,200 pallets/30 skids
 Qty Pallets per 20' Container | 400 pallets/10 skids
 Qty Pallets per 40' container | 800 pallets/20 skids
 Qty Pallets per 40' HC | 880 pallets/20 skids/44 high

EVER-LOK2®



Model BP 4048W DTP & DTC	Ratings		Pallet Weight	Cover Weight
	Fork	Floor		
	7,500 lbs/1,409 kg	1,200 lbs/545 kg	20 lbs/9.07 kg	14 lbs/6.35 kg



TriEnda publishes standard guidelines for its products, based on its testing standards, and, as such, these guidelines do not constitute any warranty related to each customer's individual application. The material handling industry has not standardized on test methodology and rating criteria for each individual product. All TriEnda products are sold with the understanding that the customer will validate for themselves the suitability of the product for their specific application. As each product application is unique, the customer assumes all risks associated with the determination and actual use of the pallet.