

Material Handling and Custom Thermoformed Solutions



DC1 4048NLT

FEATURES

High-Density Polyethylene (HDPE) Construction

- Impact Resistant
- Environmentally friendly
 - 100% recyclable
- Lightweight for better ergonomics
 - Operator/user friendly
- ISPM 15 exempt

Patented TriMax[™] Design

- Increases deck stiffness and durability

Fully Nestable

- Nesting conserves space and reduces shipping costs

Oval Leg Design

- Minimizes damage caused by fork-tines

4-way Forklift and Forkjack Entry

Weather Resistant

Easy to Clean

OPTIONS

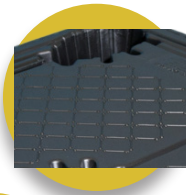
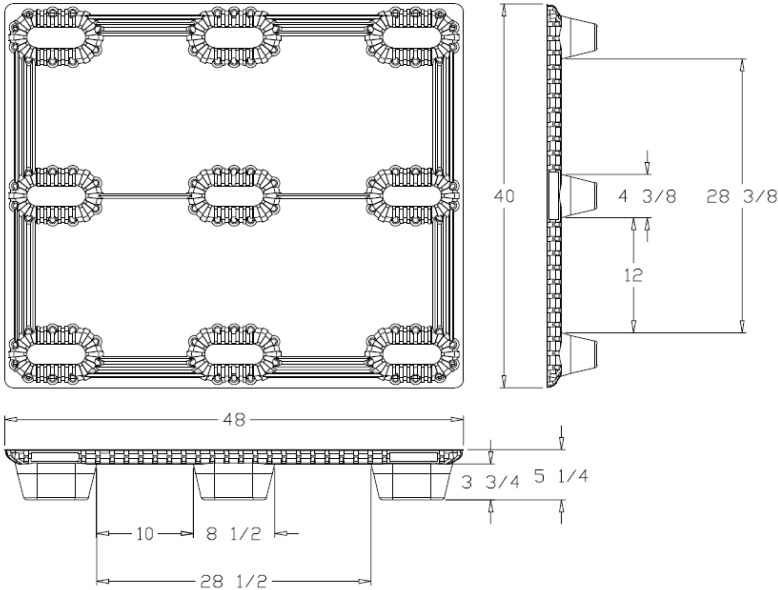
- Wide range of stripe colors
- One or multiple stripes in 48" direction
- Custom Logos
- Pocket recesses for label placement
- Anti-skid material
 - Significantly reduces product damage
- Leg drain holes

Fully Nestable



DC1 4048NLT Specifics

DESIGN FEATURES



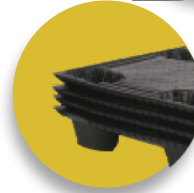
Oval 9 Leg Design



Twin Sheet Construction
In-transit Stability



Pallet Leg



Nesting Conserves Space & Reduces Return Shipping Costs

SHIPPING INFORMATION

Stack Height	100"
# Pallets per Stack	60 high (Truckload 50 High LTL)
Qty Pallets per 53 ft trailer	1,800 pallets/30 skids
Qty Pallets per 20 ft container	540 pallets/10 skids
Qty Pallets per 40 ft container	1,200 pallets/20 skids
Qty Pallets per 40 ft HC	1,280 pallets/20 skids/64 high

PRODUCT USAGE



Model DC1 4048NLT	Ratings		Weight
	Fork	Floor	
	1500 lbs/682 kg	3000 lbs/1,364 kg	13.5 lbs/6.12kg



TriEnda publishes standard guidelines for its products, based on its testing standards, and, as such, these guidelines do not constitute any warranty related to each customer's individual application. The material handling industry has not standardized on test methodology and rating criteria for each individual product. All TriEnda products are sold with the understanding that the customer will validate for themselves the suitability of the product for their specific application. As each product application is unique, the customer assumes all risks associated with the determination and actual use of the pallet.