

Material Handling and Custom Thermoformed Solutions



DC4V & DC4VHP 4048TP

FEATURES

High-Density Polyethylene (HDPE) Construction

- Impact Resistant
- Environmentally friendly
 - 100% recyclable
- Lightweight for better ergonomics
 - Operator/user friendly
- ISPM 15 exempt

Patented TriMax™ Design

- Increases deck stiffness and durability

Fully Nestable

- Nesting conserves space and reduces shipping costs

Oval Leg Design

- Minimizes damage caused by fork-tines

4-way Forklift and Forkjack Entry

Easy to clean

Weather Resistant

Chemical Resistant

OPTIONS

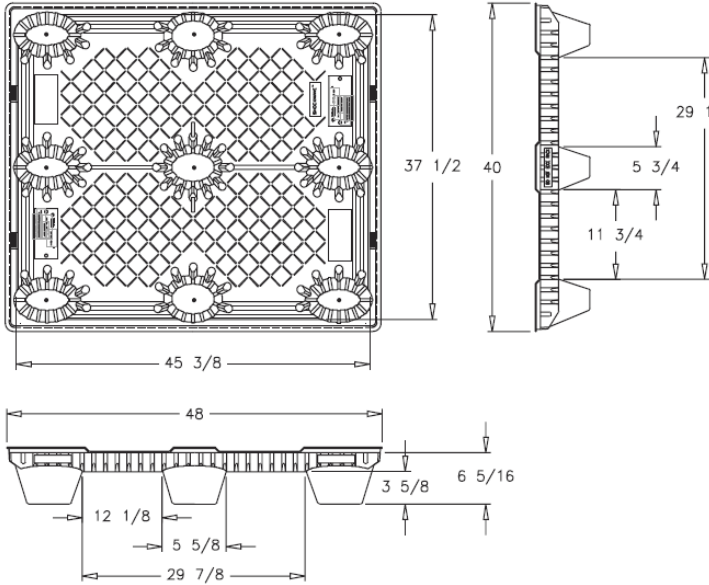
- Wide range of stripe colors
- One or multiple stripes in 48" direction
- Custom Logos
- Pocket recesses for label placement
- Anti-skid material
 - Significantly reduces product damage
- Ever-Lok2® locations
 - Eliminates stretch wrapping
 - Provides unit security
- Sleeve groove channel for sleeve option
- Cargo Lip
- Leg drain holes

Fully Nestable

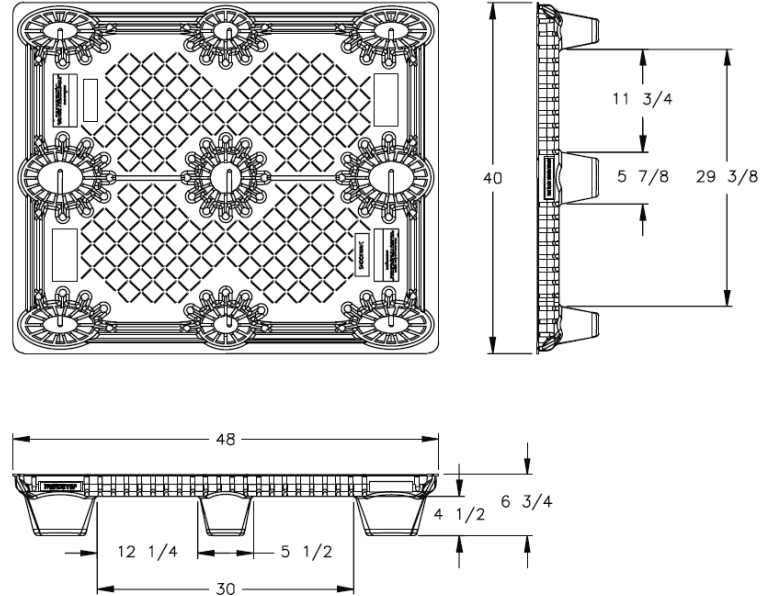


DC4V & DC4VHP 4048TP Specifics

DC4V 4048TP



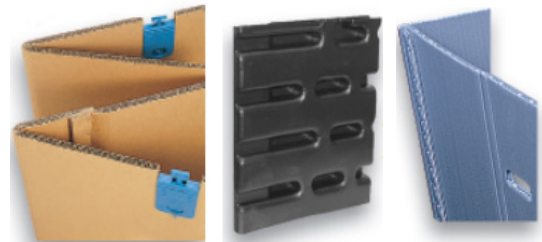
DC4VHP 4048TP



SHIPPING INFORMATION

Stack Height	100" / 2,540 mm
Qty of Pallets per Stack	36
Qty Pallets per 53' Trailer	1,080 pallets / 30 skids
Qty Pallets per 20' Container	360 pallets / 10 skids
Qty Pallets per 40' container	720 pallets / 20 skids
Qty Pallets per 40' HC	780 pallets / 20 skids / 39 high

BIG PAK SLEEVE OPTIONS



Fiberboard
Z-fold design

Twin-Sheet
Thermoformed

Fluted
Plastic

**Model
DC4V
and HP**

	Ratings		Weight
	Fork	Floor	
	2,500 lbs / 1,136 kg	6,500 lbs / 2,955 kg	21 lbs / 9.53 kg

EVER-LOK2®



TriEnda publishes standard guidelines for its products, based on its testing standards, and, as such, these guidelines do not constitute any warranty related to each customer's individual application. The material handling industry has not standardized on test methodology and rating criteria for each individual product. All TriEnda products are sold with the understanding that the customer will validate for themselves the suitability of the product for their specific application. As each product application is unique, the customer assumes all risks associated with the determination and actual use of the pallet.