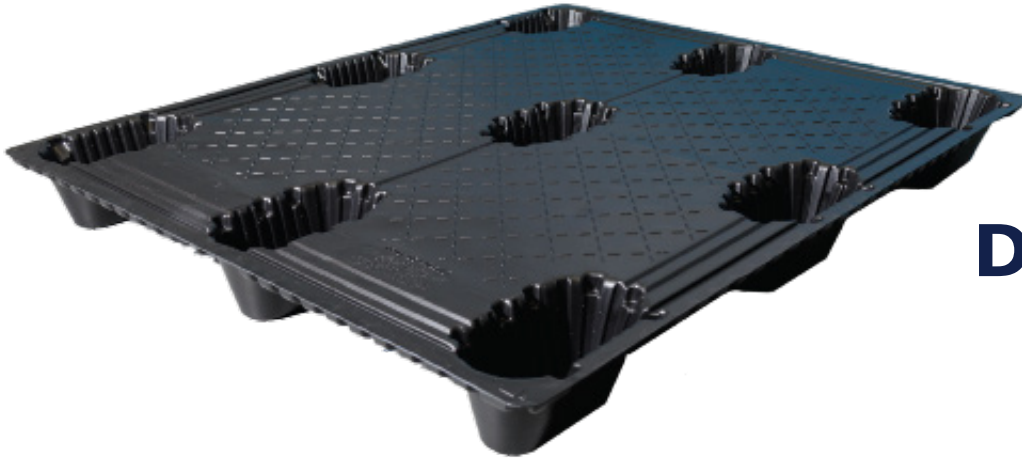


Material Handling and Custom Thermoformed Solutions



DC4 4048TP

FEATURES

High-Density Polyethylene (HDPE) Construction

- Impact Resistant
- Environmentally friendly
 - 100% recyclable
- Lightweight for better ergonomics
 - Operator/user friendly
- ISPM 15 exempt

Patented TriMax[™] Design

- Increases deck stiffness and durability

Fully Nestable

- Nesting conserves space and reduces shipping costs

Oval Leg Design

- Minimizes damage caused by fork-tines

4-way Forklift and Forkjack Entry

Weather Resistant

Easy to Clean

OPTIONS

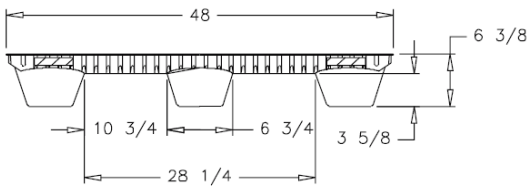
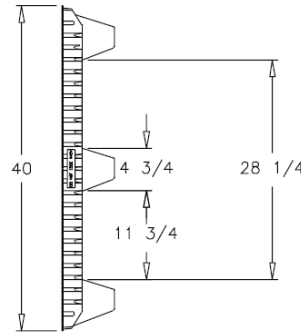
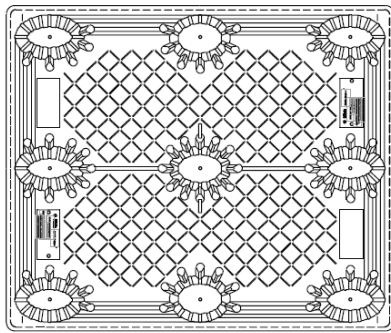
- Wide range of stripe colors
- One or multiple stripes in 48" direction
- Custom Logos
- Pocket recesses for label placement
- Anti-skid material
 - Significantly reduces product damage
- Leg Drain Holes

Fully Nestable



DC4 4048TP Specifics

DESIGN FEATURES



Oval 9 Leg Design



Twin Sheet Construction
In-transit Stability



Pallet Leg



Nesting Conserves Space & Reduces Return Shipping Costs

SHIPPING INFORMATION

Stack Height	100" / 2,540 mm
Qty of Pallets per Stack	40
Qty Pallets per 53' Trailer	1,200 pallets / 30 skids
Qty Pallets per 20' Container	400 pallets / 10 skids
Qty Pallets per 40' container	800 pallets / 20 skids
Qty Pallets per 40' HC	860 pallets / 20 skids / 43 high

PRODUCT USAGE



**Model
DC4 4048NLT**

Ratings

	Fork	Floor	Weight
	2,500 lbs / 1,136 kg	6,500 lbs / 2,955 kg	



TriEnda publishes standard guidelines for its products, based on its testing standards, and, as such, these guidelines do not constitute any warranty related to each customer's individual application. The material handling industry has not standardized on test methodology and rating criteria for each individual product. All TriEnda products are sold with the understanding that the customer will validate for themselves the suitability of the product for their specific application. As each product application is unique, the customer assumes all risks associated with the determination and actual use of the pallet.