

NEW!

DC6U Pallet

Thermoformed
HDPE Twin Sheet
Construction



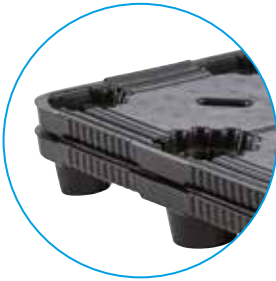
TOP VIEW



BOTTOM VIEW



Easy Wrap



Nestable Design



Ergonomic
Hand Holes

FEATURES

- Compatible with similar models
- Patented TriMax™ design for added stiffness and durability
- Lightweight for better ergonomics
- Easy wrap starter slots
- Conveyable
- Oval Leg design for minimized damage

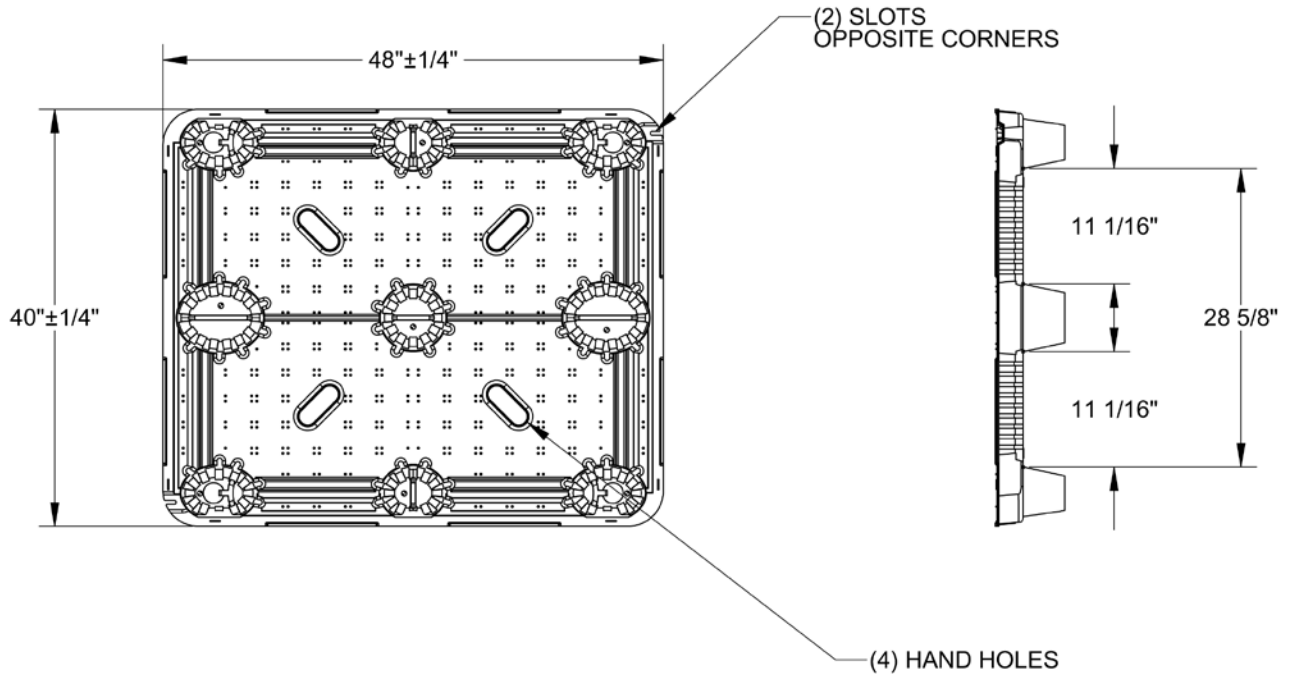
OPTIONS:

- Stripe identification
- Grommets
- Custom logos and/or labels
- RFID
- Drain holes
- Ergonomic hand holes

SPECIFICATIONS

PRODUCT #	DESCRIPTION	DIMENSIONS			WEIGHT LBS	COLOR	PALLETS PER STACK	SKIDS PER TLD	53' TLD	PALLETS PER STACK SC	SKIDS PER 40' SC	40' SC
		L	W	H								
DC6U 40x48	Universal Twin Sheet Pallet	48"	40"	5.25"	21 lbs.	Black	40	30	1,200	43	20	860

DC6U UNIVERSAL PALLET SPECIFICATIONS



Pallet Advantages

Environmentally Friendly
 ISPM 15 Exempt
 Long Service Life



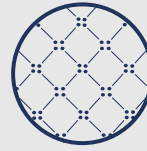
Easy
Clean



Sanitary



Impact
Resistant



Anti-Skid



4-Way Forklift
& Forkjack Entry



Recycle

TriEnda publishes standard guidelines for its products, based on its testing standards, and, as such, these guidelines do not constitute any warranty related to each customer's individual application. The material handling industry has not standardized on test methodology and rating criteria for each individual product. All TriEnda products are sold with the understanding that the customer will validate for themselves the suitability of the product for their specific application. As each product application is unique, the customer assumes all risks associated with the determination and actual use of the pallet.



Upgrading the Experience™

FOR INFORMATION PLEASE CONTACT:
 sales@trienda.com 1.800.356-8150