



### Features and Benefits

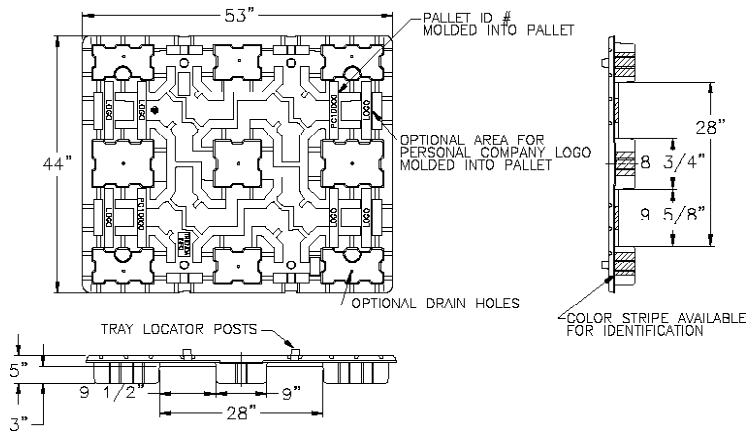
- Manufactured from HMW-HDPE
- Four-way fork accessibility
- Positive Locking pallet base makes stacking safe and secure
- Compatible with conveyor and automated material handling systems
- Secure loads with stretch or shrink wrap, or non-metallic banding in specially formed banding slots
- Stackable by design for effective storage and return shipping
- Pre-fabricated holes in trays and caps allow shipping labels to be attached via wire tags
- Pallets, trays and caps allow shipping labels to be attached via wire tags
- Drain holes alleviate water accumulation
- Standard color: black

### Options

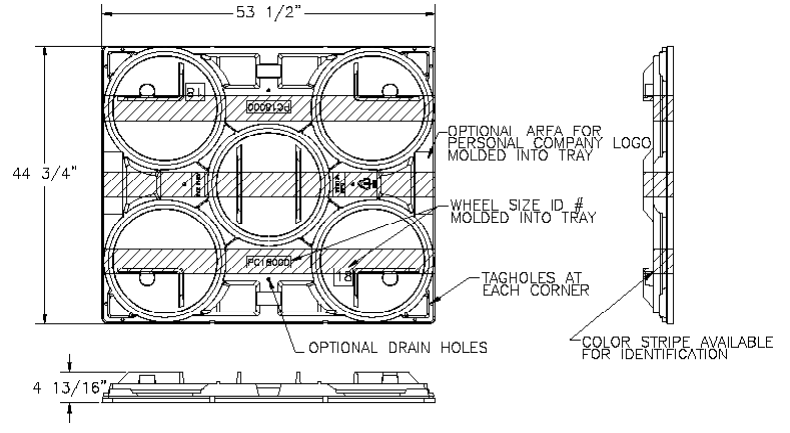
- Custom stripes
- Custom colors
- Formed-in logos
- Ergonomically placed hand holes & robot holes

# PC 10000 SERIES

# PASSENGER CAR WHEEL PAKS 13" · 14" · 15" · 16" · 17" · 18" · 19" · 20" · 22"



**PALLET**



**TRAY**

Model	Model Number	Dimensions (Inches)		Wheels/ Layer	53' Trailer Truckload	Shipping Trays/ Stack
		Length	Width			
PC 10000	PC 10000 Pallet Static Capacity: 4000 lbs.	53	44	•	1200	50
PC 13000	13" Wheel Tray	53.50	44.75	9	2200	100
PC 13CAP	13" Wheel Cover	53.50	44.75	•	1760	80
PC 14000	14" Wheel Tray	53.50	44.75	8	1760	80
PC 14CAP	14" Wheel Cover	53.50	44.75	•	1760	80
PC 15000	15" Wheel Tray	53.50	44.75	8	2200	100
PC 15CAP	15" Wheel Cover	53.50	44.75	•	2200	100
PC 16000	16" Wheel Tray	53.50	44.75	6	2200	100
PC 16CAP	16" Wheel Cover	53.50	44.75	6	2200	100
PC 17000	17" Wheel Tray	53.50	44.75	5	2200	100
PC 17CAP	17" Wheel Cover	53.50	44.75	•	2200	100
PC 18000	18" Wheel Tray	53.50	44.75	5	2200	100
PC 18CAP	18" Wheel Cover	53.50	44.75	5	2200	100
PC 19000	19" Wheel Tray	53.50	44.75	4	2200	100
PC 19CAP	19" Wheel Cover	53.50	44.75	•	2200	100
PC 20000	20" Wheel Tray	53.50	44.75	4	2200	100
PC 20CAP	20" Wheel Cover	53.50	44.75	•	2200	100
PC 22000	22" Wheel Tray	53.50	48.75	4	2200	100
PC 22CAP	22" Wheel Cover	53.50	48.75	•	2200	100

**Notice:** Each user must carefully consider the application requirements and accept final responsibility for the pallet's/pak's suitability, according to its intended application. Please see TriEnda's published Material Handling Products- Application and Performance guide for additional Information, or call TriEnda at 800-356-8150.

