



Features and Benefits

- Manufactured from HMW-HDPE
- Four-way fork accessibility
- Positive Locking pallet base makes stacking safe and secure
- Compatible with conveyor and automated material handling systems
- Secure loads with stretch or shrink wrap, or non-metallic banding in specially formed banding slots
- Stackable by design for effective storage and return shipping
- Pre-fabricated holes in trays and caps allow shipping labels to be attached via wire tags
- Pallets, trays and caps allow shipping labels to be attached via wire tags
- Drain holes alleviate water accumulation
- Standard color: black

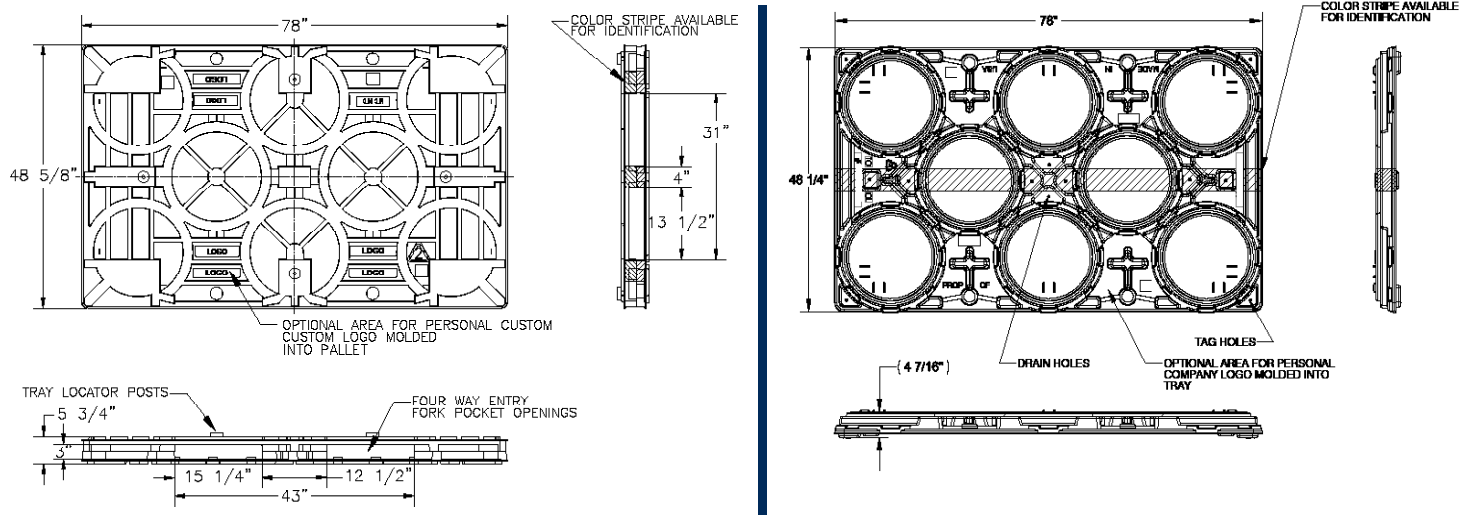
Options

- Custom stripes
- Custom colors
- Formed-in logos
- Ergonomically placed hand holes & robot holes

PROUD WHEEL

PASSENGER CAR WHEEL PAKS

16" · 17" · 18" · 20"



PALLET

TRAY

Model	Description	Dimensions (Inches)		Wheels/ Layer	53' Trailer Truckload	Shipping Trays/ Stack
		Length	Width			
BASE	14/15/16	56.625	47.5	•	352	16
BASE	Wheel Pallet	78	48.75	•	256	16
16" TRAY	16" Wheel Tray	57.125	47.75	8	2200	100
17" TRAY	17" Wheel Tray	78	48.18	8	896	56
17" CAP	17" Wheel Cap	78	48.18	•	720	45
18" TRAY	18" Wheel Tray	78	48.18	8	448	28
18" CAP	18" Wheel Cap	78	48.18	•	448	28
HB 18000	18" Wheel Tray	53.5	44.75	5	1100	50
HB 18 CAP	18" Wheel Cap	53.5	44.75	•	880	40
HB 20000	20" Wheel Tray	53.5	44.75	4	880	40
HB 20 CAP	20" Wheel Cap	53.5	44.75	•	880	40

Notice: Each user must carefully consider the application requirements and accept final responsibility for the pallet's/pak's suitability, according to its intended application. Please see TriEnda's published Material Handling Products- Application and Performance guide for additional information, or call TriEnda at 800-356-8150.

*Signifies Twin Sheet Construction

