



Features and Benefits

- Manufactured from HMW-HDPE
- Four-way fork accessibility
- Positive Locking pallet base makes stacking safe and secure
- Compatible with conveyor and automated material handling systems
- Secure loads with stretch or shrink wrap, or non-metallic banding in specially formed banding slots
- Stackable by design for effective storage and return shipping
- Pre-fabricated holes in trays and caps allow shipping labels to be attached via wire tags
- Pallets, trays and caps allow shipping labels to be attached via wire tags
- Drain holes alleviate water accumulation
- Standard color: black

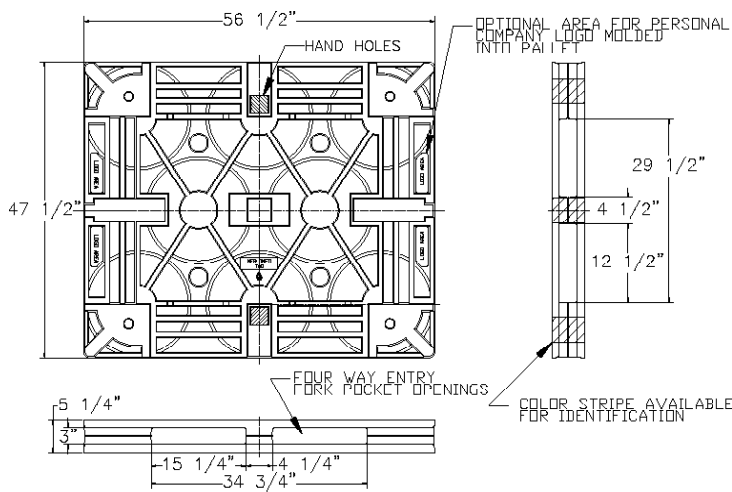
Options

- Custom stripes
- Custom colors
- Formed-in logos
- Ergonomically placed hand holes & robot holes

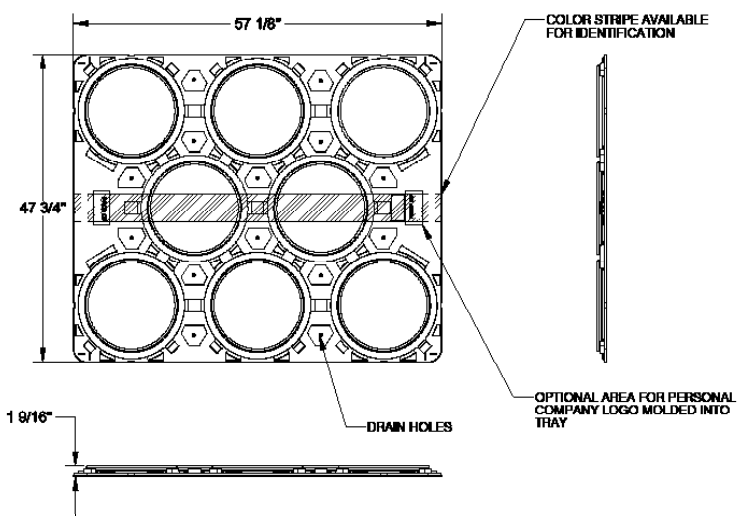
T-SERIES

PASSENGER CAR WHEEL PAKS

14" · 15" · 16"



PALLET



TRAY

Model	Description	Dimensions (Inches)		Wheels/ Layer	53' Trailer Truckload	Shipping Trays/ Stack
		Length	Width			
T-Pallet	14"/ 15"/ 16" Wheel Pallet *Static Cap. 4,000 lbs.	57.13	48.13	•	176	16
T-14	14" Wheel Tray	57.13	47.75	8	2200	100
T-15/16	15" & 16" Wheel Tray	57.13	47.75	8	2200	100

Notice: Each user must carefully consider the application requirements and accept final responsibility for the pallet's/pak's suitability, according to its intended application. Please see TriEnda's published Material Handling Products- Application and Performance guide for additional Information, or call TriEnda at 800-356-8150.

