

Delivery Cart

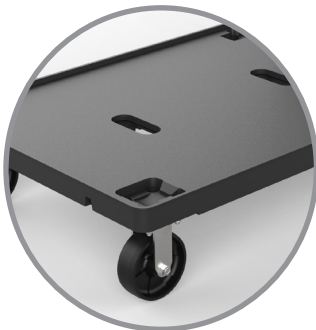
Prevents slippage with TruGrip surface technology



30" Deck fits narrow spaces and delivery doors.



Premium locking wheels for easy maneuvering.



30X42
DELIVERY SIZE
STRONG HDPE
Thermoformed
Construction



TriEnda's twin sheet thermoformed construction provides needed strength while incorporating a light weight design. Narrow deck fits through small spaces like doorways, coolers, freezers and aisles. A perimeter lip prevents dangerous product slide offs. For additional slide control, add the TruGrip surface option, for the highest COF on the market. A perfect choice for convenience and small format stores. Unique design includes a self-store handle that conveniently folds into deck when not in use. Premium wheels provide easy maneuvering and double locking feature. Carts nest and lock into each other for empty storage and return.

ADVANTAGES



Recyclable,
Cradle to Cradle.



Weather resistant,
withstands humidity.



ISPM 15 Exempt
Sanitary, ships world-
wide without costly
delays.

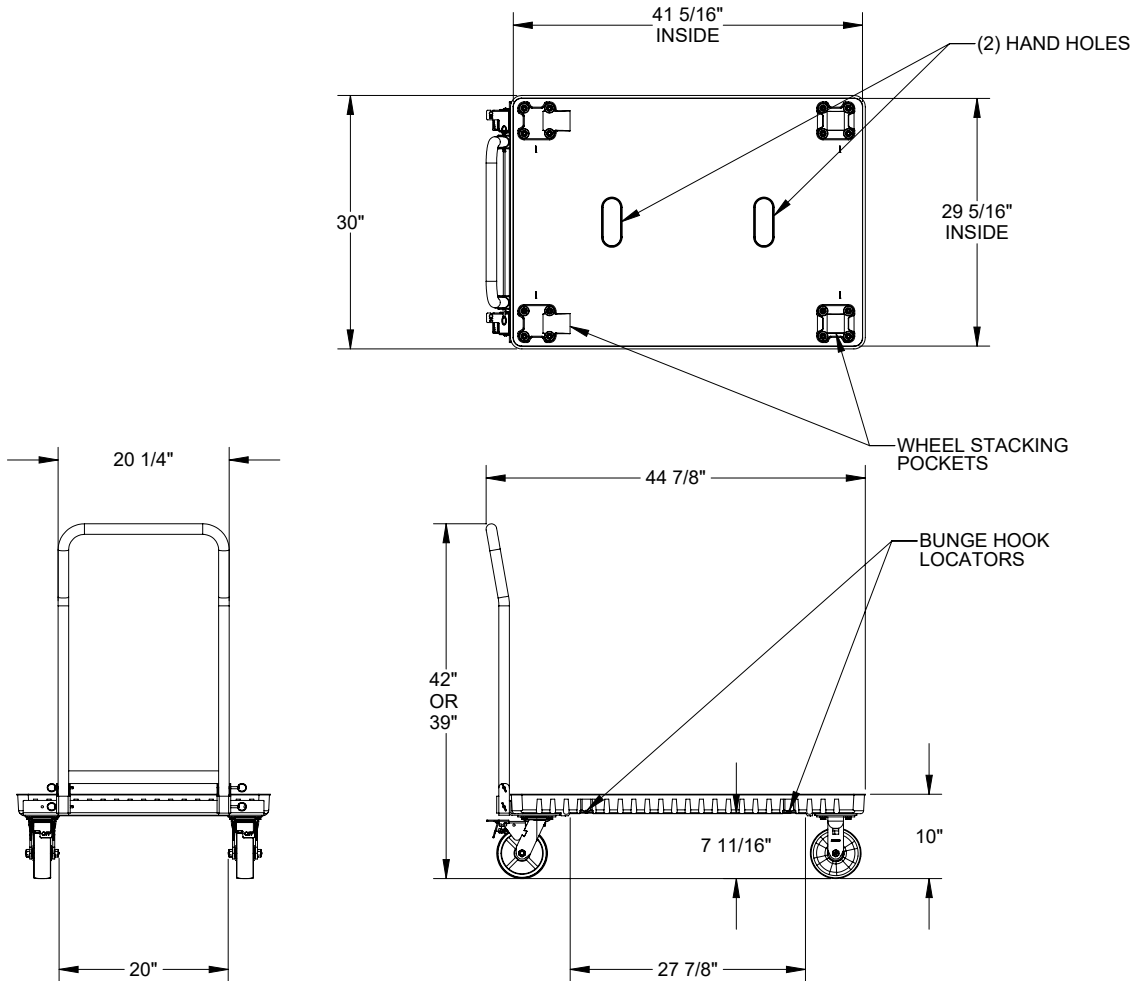


Impact resistant for
long cycle life.

 **TriEnda**[®]
Upgrading the Experience™

trienda.com

Delivery Cart Specifications



C:\Trienda Holdings\Project_Files\06150-99\06189 SMALL FORMAT DELIVERY CART\CadFiles\06189 Marketing Drawing

Printed - Thursday, October 29, 2020

PRODUCT	DIMENSIONS			WEIGHT LBS	DYNAMIC RATING	COLOR	STACK HEIGHT	QUANTITY					
	L	W	H					53' TLD		40' SC		40' HC	
								PER STACK	TOTAL	PER STACK	TOTAL	PER STACK	TOTAL
Delivery Cart	42"	30"	10"	68 lbs 30.84 kg	2,000 lbs 907 kg	BLACK	105" 2,667 mm	12	528	15	300	17	340



TriEnda publishes standard guidelines for its products, based on its testing standards, and, as such, these guidelines do not constitute any warranty related to each customer's individual application. The material handling industry has not standardized on test methodology and rating criteria for each individual product. All TriEnda products are sold with the understanding that the customer will validate for themselves the suitability of the product for their specific application. As each product application is unique, the customer assumes all risks associated with the determination and actual use of the pallet.

trienda.com | sales@trienda.com | 800-356-8150