

BigPak[®] 40x48D TP-TC

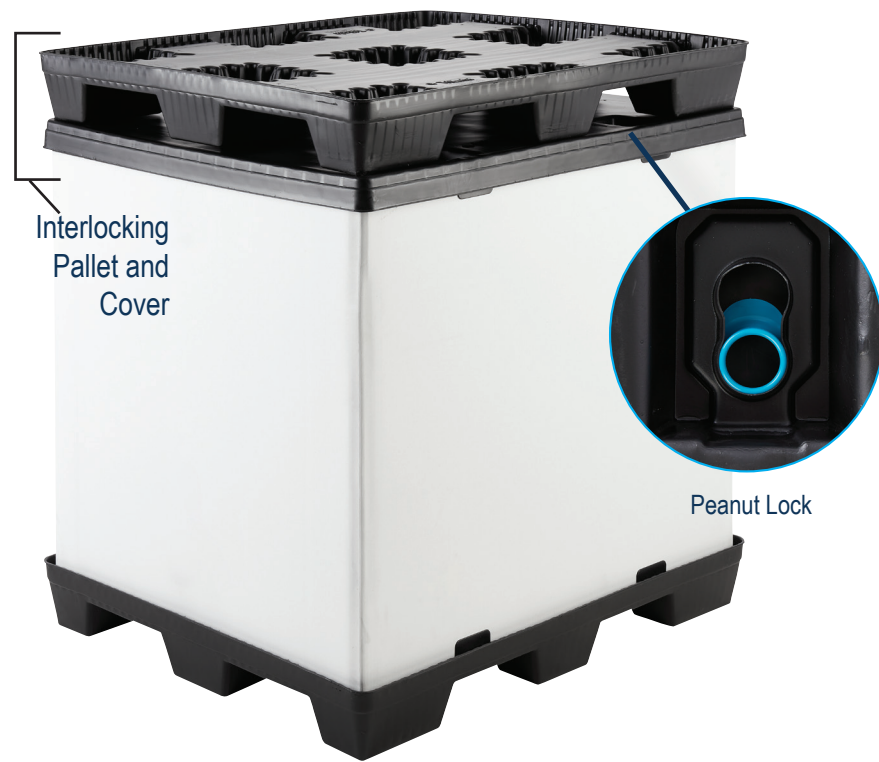
Thermoformed HDPE Twin Sheet Construction

FEATURES

- Peanut lock provides unit security and eliminates need for stretch wrapping
- Interlocking pallet and cover for secure stacking
- Large leg footprint
- Lower cost alternative vs. rigid alternatives

OPTIONS

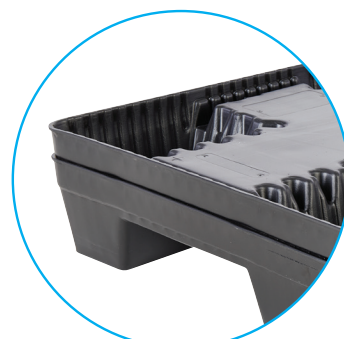
- With or without peanut lock
- Wide range of stripe colors
- One or multiple stripes in 48" direction
- Leg drain holes
- Custom logos



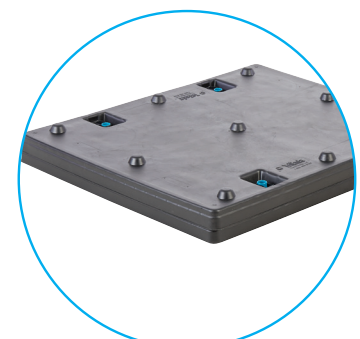
COLLAPSABLE SLEEVE OPTIONS



Fiberboard Z-fold Twin-Sheet Thermoformed Plastic



Nestable
Pallet Design



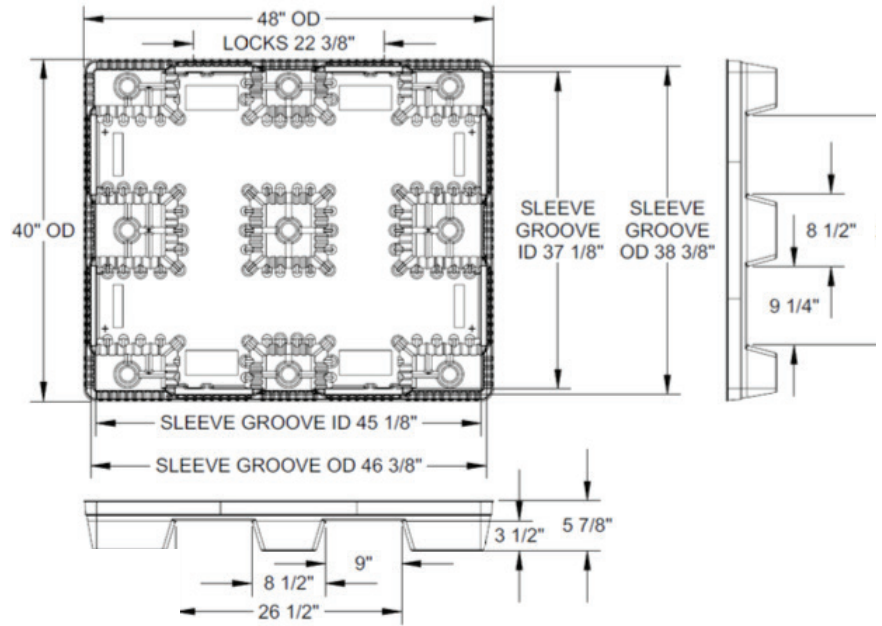
Nestable
Cover Design

SPECIFICATIONS

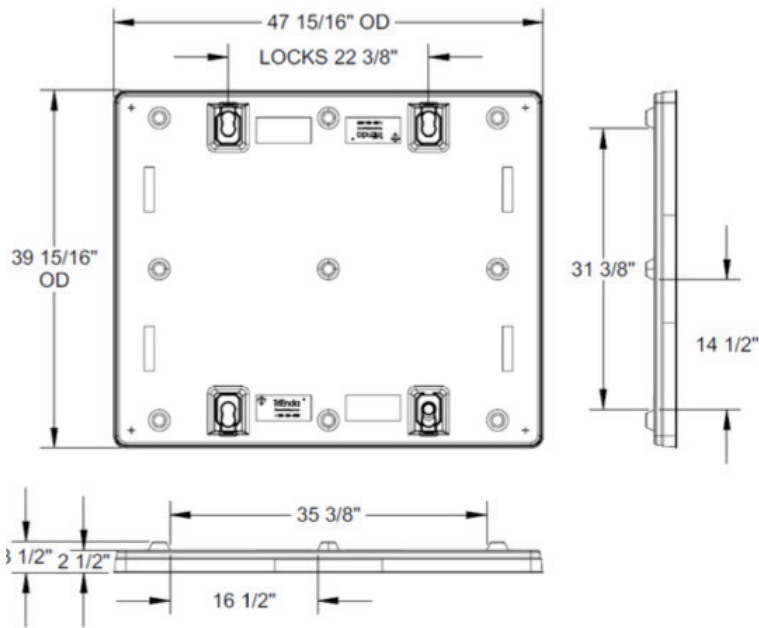
PRODUCT	DIMENSIONS			WEIGHT AND COLOR	RATINGS		STACK HEIGHT	QTY PER STACK		QTY 53' TLD	QTY 40' SC	QTY 40' HC
	L	W	H		FORK	FLOOR		STD.	HC			
BP4048D TP Twin Sheet Pallet	48" 1,219.2 mm	40" 1,016 mm	5.875" 149.23 mm	20 lbs 9.07 kg Black	1,200 lbs 545 kg	7,500 lbs 1,409 kg	100" 2,540 mm	50	44	1,500/ 30 Skids	800/ 20 Skids	880/ 20 Skids
BP4048D TC Twin Sheet Cover	48" 1,219.2 mm	40" 1,016 mm	3.5" 88.9 mm	14 lbs 6.35 kg Black	-	-	100" 2,540 mm	50	44	1,500/ 30 Skids	800/ 20 Skids	880/ 20 Skids

Big Pak® 4048D TP - TC SPECIFICATIONS

PALLET



COVER



SLEEVE SHIPPING INFORMATION

QTY PER STACK	SLEEVE HEIGHT	SLEEVE I.D.
2 High in Trailer	44.5" 1,130 mm	45.875" x 38.25"
3 High in Trailer	28.5" 724 mm	45.875" x 38.25"
4 High in Trailer	20.25" 514 mm	45.875" x 38.25"

Advantages

Environmentally Friendly
ISPM 15 Exempt
Long Service Life



Easy
Clean



Sanitary



Weather
Resistant



Impact
Resistant



4-Way Forklift
& Forkjack Entry



Recycle

TriEnda publishes standard guidelines for its products, based on its testing standards, and, as such, these guidelines do not constitute any warranty related to each customer's individual application. The material handling industry has not standardized on test methodology and rating criteria for each individual product. All TriEnda products are sold with the understanding that the customer will validate for themselves the suitability of the product for their specific application. As each product application is unique, the customer assumes all risks associated with the determination and actual use of the pallet.



FOR INFORMATION PLEASE CONTACT:
sales@trienda.com 1-800-356-8150