

BigPak® 44x54B SP



Thermoformed
HDPE Single Sheet
Construction

FEATURES

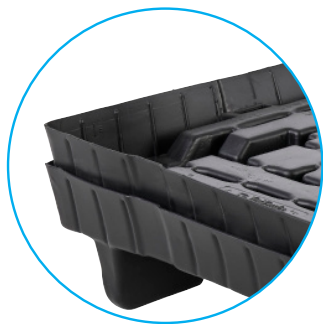
- Pallet and lid are interchangeable
- Minimizes storage space, reduces shipping costs
- Lightweight for better ergonomics

OPTIONS

- Ever-Lok® provides unit security and eliminates stretch wrapping
- Collapsible sleeves
- Wide range of stripe colors
- One or multiple stripes in 54.75" direction
- Leg drain holes
- Custom logos



Ever-Lok®



Nestable Pallet



Interlocking Pallet Legs

COLLAPSABLE SLEEVE OPTIONS



Fiberboard
Z-fold



Twin-Sheet
Thermoformed



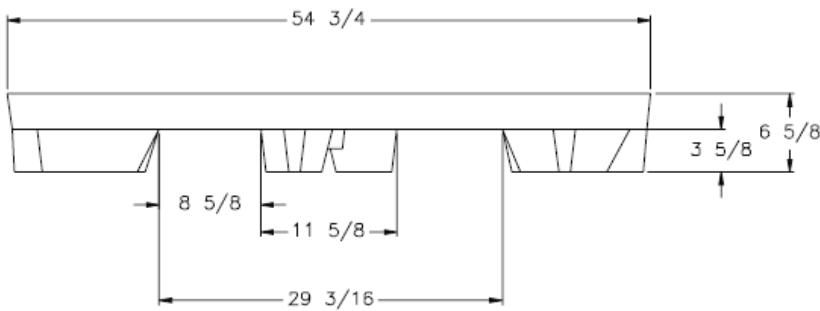
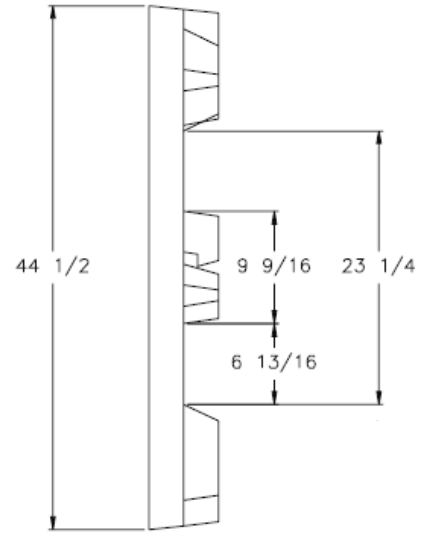
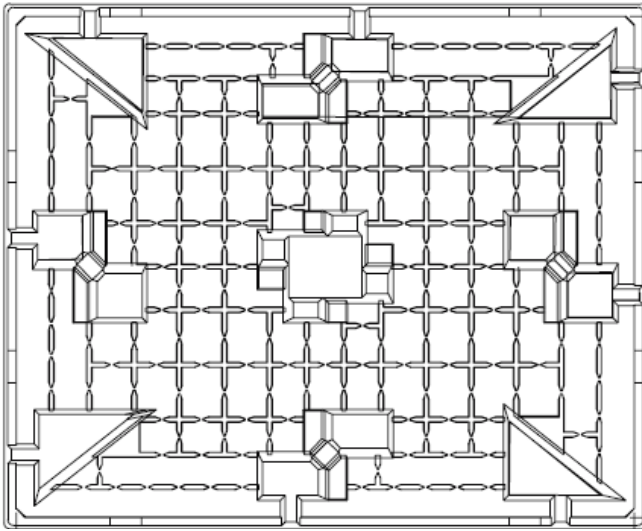
Plastic

SPECIFICATIONS

PRODUCT	DIMENSIONS			WEIGHT AND COLOR	RATINGS		STACK HEIGHT	QTY PER STACK		QTY 53' TLD	QTY 40' SC	QTY 40' HC
	L	W	H		FORK	FLOOR		STD.	HC			
BP4454B SP Single Sheet Pallet	54.75" 1,390.65 mm	44.5" 1,130.3 mm	6.625" 168.28 mm	22 lbs 9.98 kg Black	800 lbs 364 kg	4,000 lbs 1,818 kg	100" 2,540 mm	50	54	1,100/ 22 Skids	800/ 16 Skids	864/ 16 Skids

Big Pak® 44x54B SP

SPECIFICATIONS



SLEEVE SHIPPING INFORMATION

QTY PER STACK	SLEEVE HEIGHT	SLEEVE I.D.
2 High in Trailer	44.375" 1,127 mm	53" x 42.5"
3 High in Trailer	28.25" 718 mm	53" x 42.5"
4 High in Trailer	20.25" 514 mm	53" x 42.5"

Advantages

Environmentally Friendly
ISPM 15 Exempt
Long Service Life



Easy
Clean



Sanitary



Weather
Resistant



Impact
Resistant



4-Way Forklift
& Forklift Entry



Recycle

TriEnda publishes standard guidelines for its products, based on its testing standards, and, as such, these guidelines do not constitute any warranty related to each customer's individual application. The material handling industry has not standardized on test methodology and rating criteria for each individual product. All TriEnda products are sold with the understanding that the customer will validate for themselves the suitability of the product for their specific application. As each product application is unique, the customer assumes all risks associated with the determination and actual use of the pallet.



Pallet
Buy Back
Program



FOR INFORMATION PLEASE CONTACT:
sales@trienda.com 1-800-356-8150