

# Load Locker Board 40x48



Thermoformed  
HDPE  
Single Sheet  
Construction



## FEATURES

- Compatible with all TriEnda DC Series Pallets and similar models
- Provides load protection as a cap banded to a load and securely locates pallets stacked above
- Allows maximum storage and transportation efficiency
- Levels load for greater stack heights
- Protects cargo
- Light weight for better ergonomics
- Recessed banding slots
- Shallow deck for maximum fork entry clearance
- Stacking locators to maintain secured return trips
- Ergonomic hand holes

## OPTIONS

- Tru-Grip™ provides the highest coefficient of friction
- Stripe identification
- Custom logos and/or label locations
- Drain holes

## TruGrip™

An anti-skid surface like no other

Introducing TruGrip™ offering the highest COF available on the market using a proprietary rubber-like material. Prevents slippage of boxes, on fork tines and on floors.

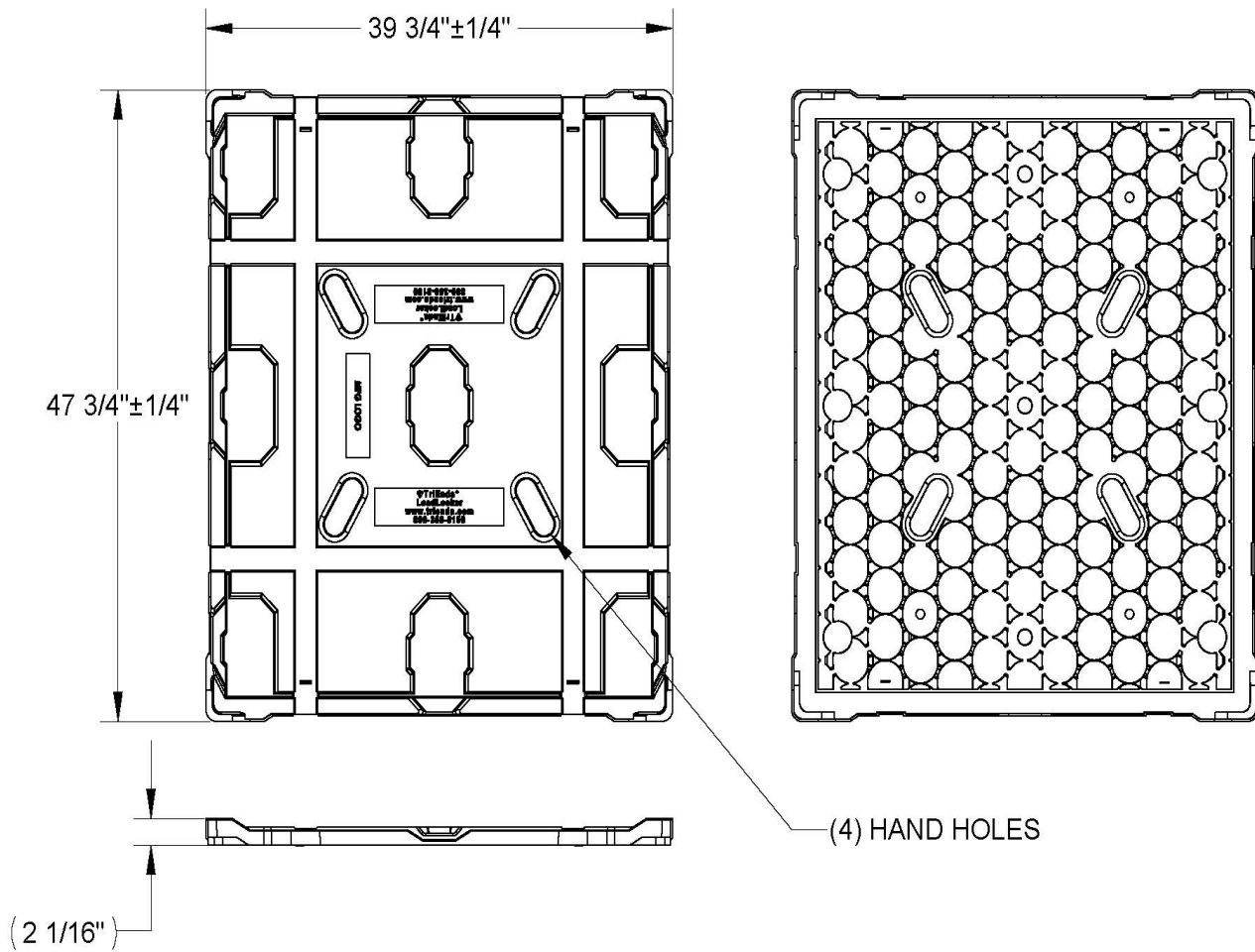


## SPECIFICATIONS

PRODUCT	DIMENSIONS			WEIGHT AND COLOR	STACK HEIGHT	QTY PER STACK		QTY 53' TLD	QTY 40' SC	QTY 40' HC
	L	W	H			STD.	HC			
Load-Locker™ Board	47.5" 1,207 mm	39.75" 1,010 mm	2.13" 54 mm	15 lbs 6.80 kg Black	1.5" 38 mm	60	65	1,800	1,200	1,300

# Load Locker 40x48

## SPECIFICATIONS



### Advantages

Environmentally Friendly  
ISPM 15 Exempt  
Long Service Life



Easy  
Clean



Sanitary



Weather  
Resistant



Impact  
Resistant



4-Way Forklift  
& Forkjack Entry



Recycle

TriEnda publishes standard guidelines for its products, based on its testing standards, and, as such, these guidelines do not constitute any warranty related to each customer's individual application. The material handling industry has not standardized on test methodology and rating criteria for each individual product. All TriEnda products are sold with the understanding that the customer will validate for themselves the suitability of the product for their specific application. As each product application is unique, the customer assumes all risks associated with the determination and actual use of the pallet.



FOR INFORMATION PLEASE CONTACT:  
sales@trienda.com 1-800-356-8150