

GS 48x40

MVP Mid Duty Pallet



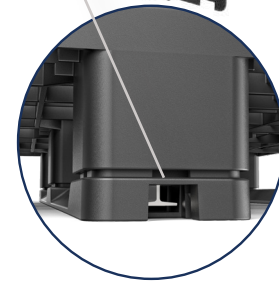
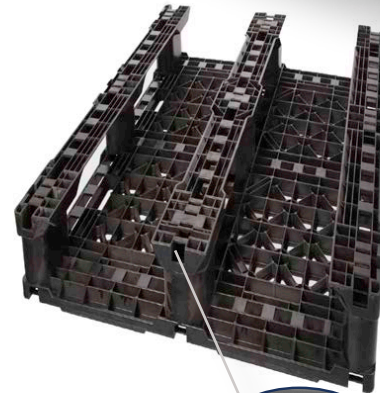
Top view



Bottom view

FEATURES

- High-pressure injection molded design using HDPE for optimal performance and durability
- Full picture frame or runner system in 48" direction for enhanced versatility and racking capability
- Grommets on top and bottom decks to mitigate slippage
- 20 grommets in top deck, 8 grommets in bottom deck
- Environmentally friendly and 100% recyclable
- No splinters, broken wood, or nails
- Sanitary and easily cleanable surface



Reinforcement Rod Options

OPTIONS

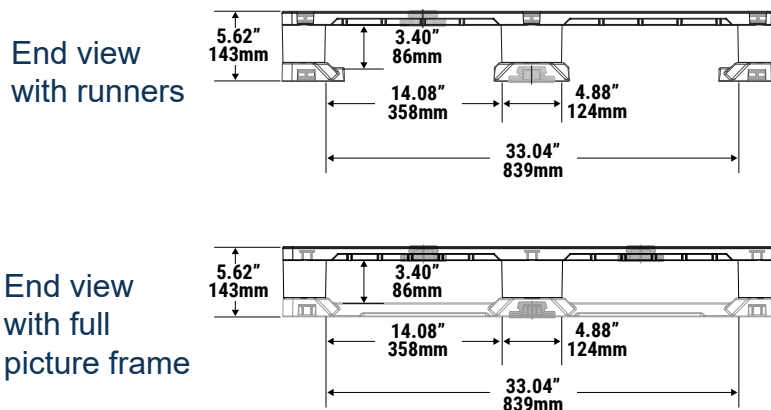
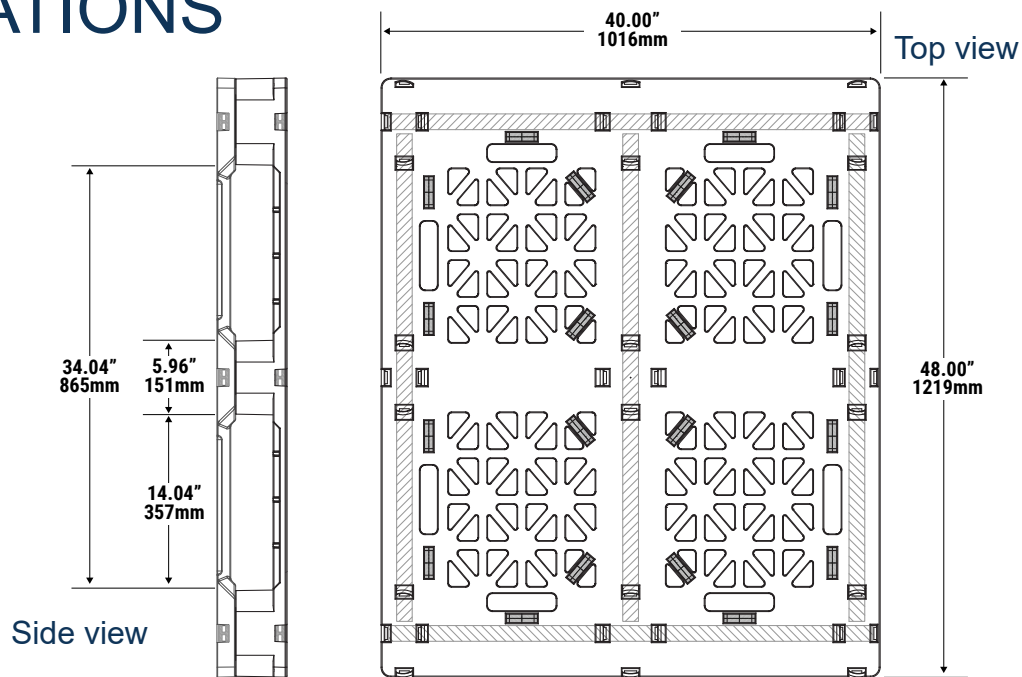
- Different quantities (0, 3, 5, 10) of fiberglass rods to accommodate most racking requirements
- Alternative material blends and colors for custom applications
- Ink stamping for company logos and branding

SPECIFICATIONS

PRODUCT	DESCRIPTION	DIMENSIONS			WEIGHT AND COLOR	RATINGS			QTY 53' TLD	QTY 40' SC
		L	W	H		DYNAMIC (UP TO)	STATIC (UP TO)	RACKING (UP TO)		
MV.48.40.6R0	0 Rods	48" 1,219 mm	40" 1,016 mm	5.6" 142.7 mm	42 lbs 19.05 kg Black	5,000 lbs 2,268 kg	15,000 lbs 6,804 kg	800 lbs 363 kg	540	320
MV.48.40.6R3	3 Rods (40" or 48" direction)	48" 1,219 mm	40" 1,016 mm	5.6" 142.7 mm	46 lbs 20.86 kg Black	5,000 lbs 2,268 kg	25,000 lbs 11,340 kg	1,800 lbs 816.5 kg	540	320
MV.48.40.6R5	5 Rods (40" or 48" direction)	48" 1,219 mm	40" 1,016 mm	5.6" 142.7 mm	52 lbs 23.59 kg Black	5,000 lbs 2,268 kg	25,000 lbs 11,340 kg	2,500 lbs 1,134 kg	540	320
MV.48.40.6R10	10 Rods (40" or 48" direction)	48" 1,219 mm	40" 1,016 mm	5.6" 142.7 mm	62 lbs 28.12 kg Black	5,000 lbs 2,268 kg	25,000 lbs 11,340 kg	3,400 lbs 1,542 kg	540	320

48x40 MVP Mid Duty Pallet

SPECIFICATIONS



Pallet Advantages

Environmentally Friendly
ISPM 15 Exempt
Long Service Life



TriEnda publishes standard guidelines for its products, based on its testing standards, and, as such, these guidelines do not constitute any warranty related to each customer's individual application. The material handling industry has not standardized on test methodology and rating criteria for each individual product. All TriEnda products are sold with the understanding that the customer will validate for themselves the suitability of the product for their specific application. As each product application is unique, the customer assumes all risks associated with the determination and actual use of the pallet.

