

Proud Wheel Series

Passenger Car Wheel Packs

18" & 20"

Manufactured from HMW-HDPE

01 / Details

TRAYS

FEATURES

- Positive locking pallet base for safe and secure stacking
- Stackable by design for effective storage and return shipping
- Conveyable
- Secure loads with shrink wrap or non-metallic banding in specially formed banding slots
- Drain holes alleviate water accumulation

OPTIONS

- Pallets, trays and caps allow shipping labels to be attached via wire tags
- Ergonomic hand and robot holes
- Custom stripe identification
- Custom colors
- Formed-in logos



Drain Holes



Custom Striping

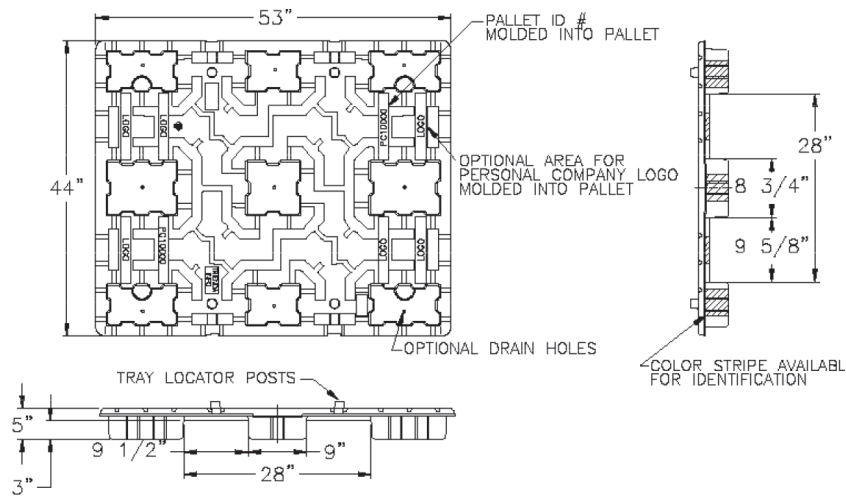
02 / Specifications

PRODUCT	DESCRIPTION	DIMENSIONS		COLOR	WHEELS PER LAYER	PER STACK		53' FULL TRUCK LOAD	
		L	W						
PC10000	Twin Sheet Pallet	53"	44"	Black	-	36 Pallets		792 Pallets	
HB 18000	18" Wheel Tray & Cover	53.5"	44.75"	Black	5/Tray	80 Trays	80 Covers	1600 Trays	1600 Covers
HB 20000	20" Wheel Tray & Cover	53.5"	44.75"	Black	4/Tray	80 Trays	80 Covers	1600 Trays	1600 Covers

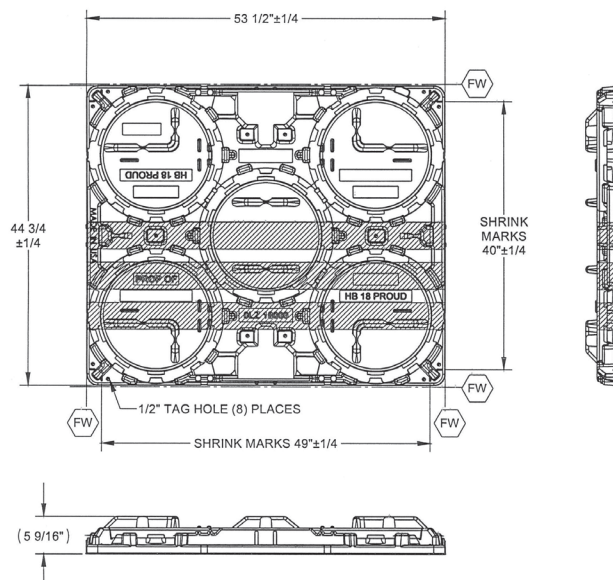
Performance characteristics vary with applications. To optimize nominal specifications, loads must be evenly distributed to reach capacity. Load construction, support conditions, transportation, load retention, user facility and temperature are factors that affect pallet capacity.

Proud Wheels - Passenger Car Wheel Packs 18" & 20"

SPECIFICATIONS



PALLET



TRAY

PALLET ADVANTAGES

- Environmentally Friendly
- ISPM 15 Exempt
- Long Service Life



Easy
Clean



Sanitary



Weather
Resistant



Impact
Resistant



4-Way
Forklift/jack
Entry



Recycle

TriEnda publishes standard guidelines for its products, based on its testing standards, and, as such, these guidelines do not constitute any warranty related to each customer's individual application. The material handling industry has not standardized on test methodology and rating criteria for each individual product. All TriEnda products are sold with the understanding that the customer will validate for themselves the suitability of the product for their specific application. As each product application is unique, the customer assumes all risks associated with the determination and actual use of the pallet.

